



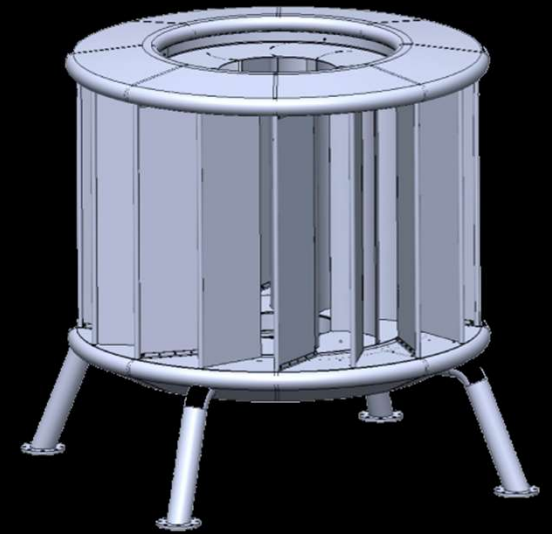
EIS New Wind Turbine

Grid-Adjacent Renewable Microgrid Systems

The Beating Heart of a Microgrid

Wind Turbine in Detail

- Delivers 25 kw per machine power generation from low speed, bird safe windmill
- Maintains 200 kw per machine internal storage capacity
- Utilizes 100% power from attached solar panels
- Provides direct regulated 480VAC / 690VDC power to any load, with no grid line required



Benefits of the Wind Turbine

- Low power density – 50% less solar panels and 80% less batteries
- High reliability – only one moving part per machine
- High efficiency – no grid transformers used for power distribution
- Provides two renewable power sources – wind plus sun
- No peak demand charges when using grid as third power source
- Environmentally friendly – contains no fire or explosion hazards, safe to birds
- Provides constant regulated 480VAC / 690VDC power to ANY remote microgrid load